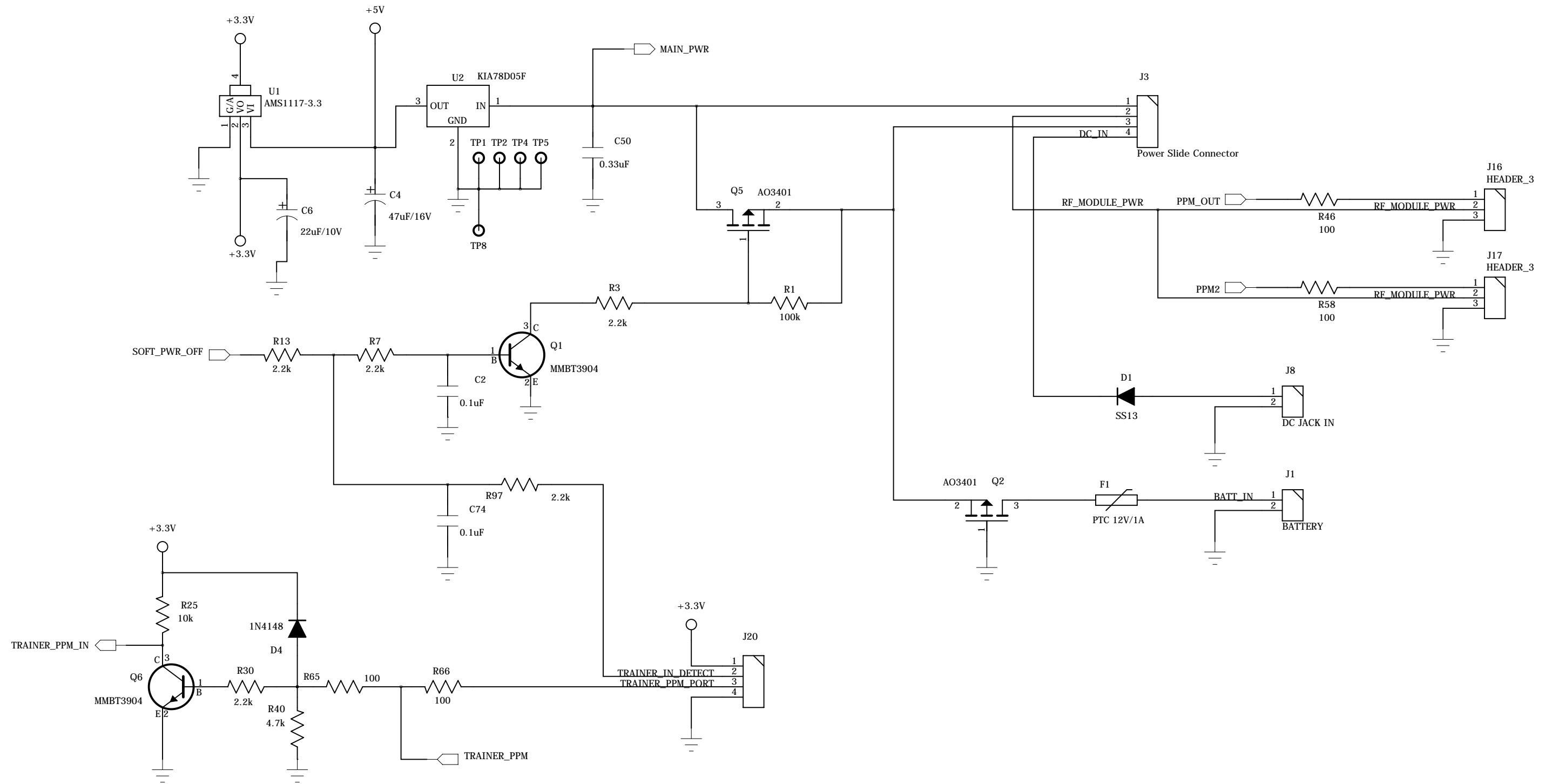


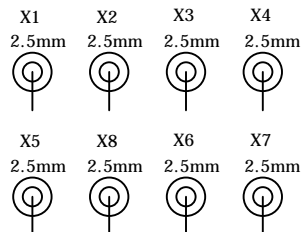
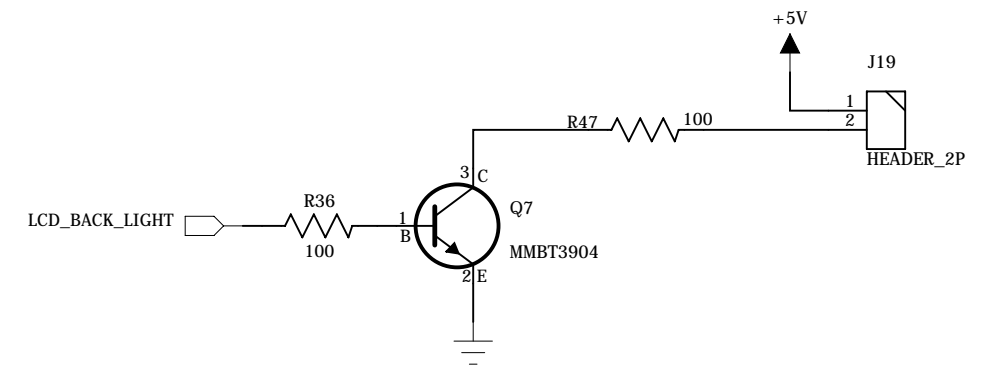
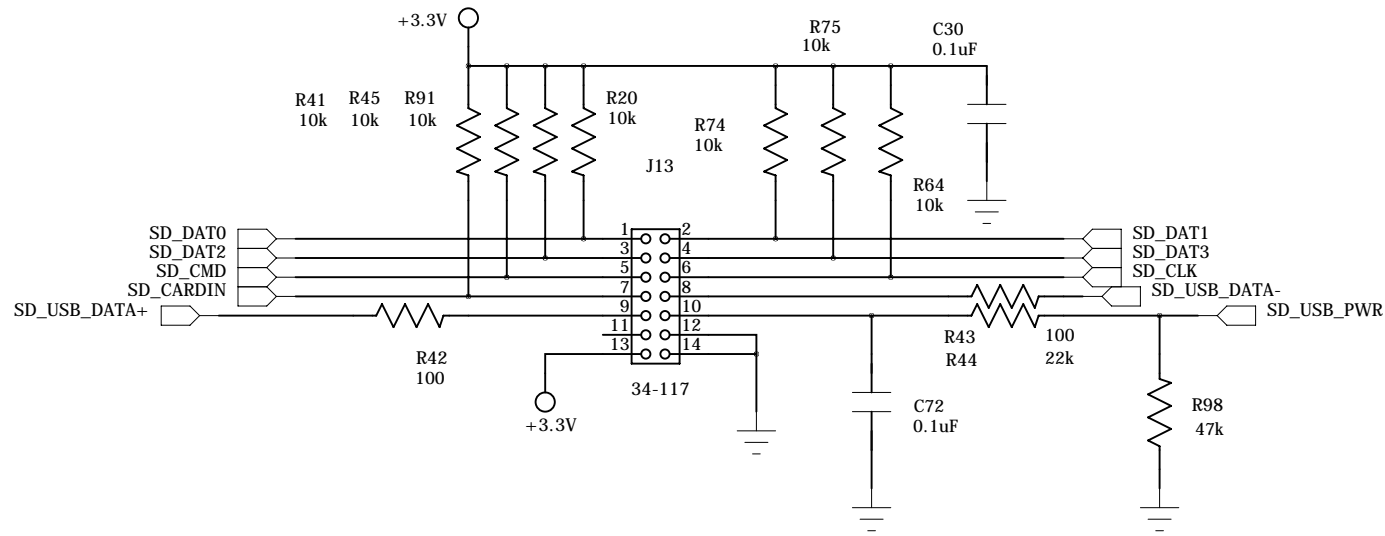
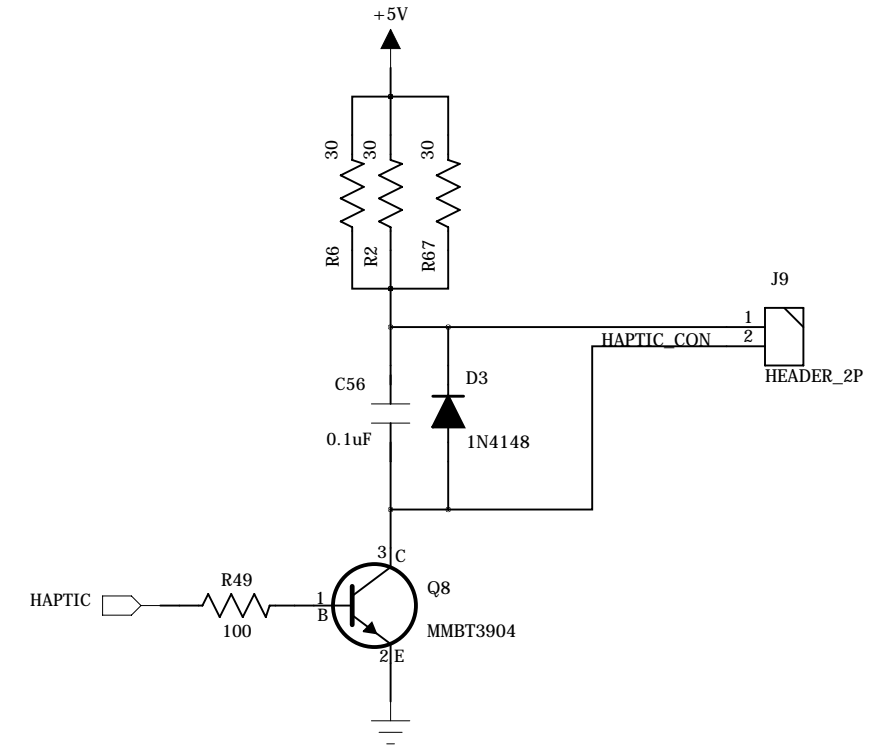
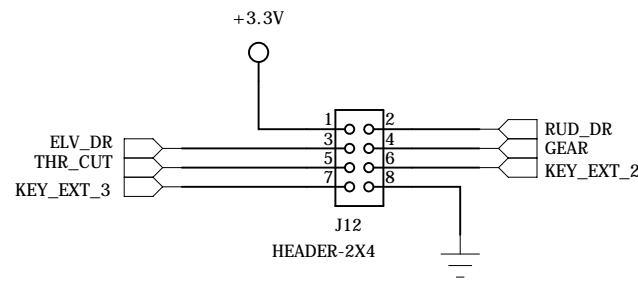
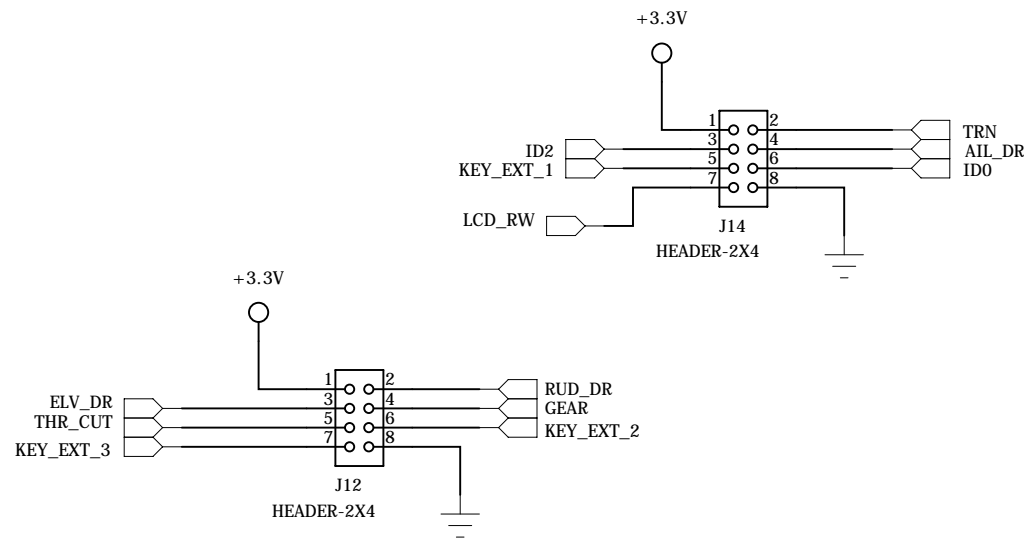
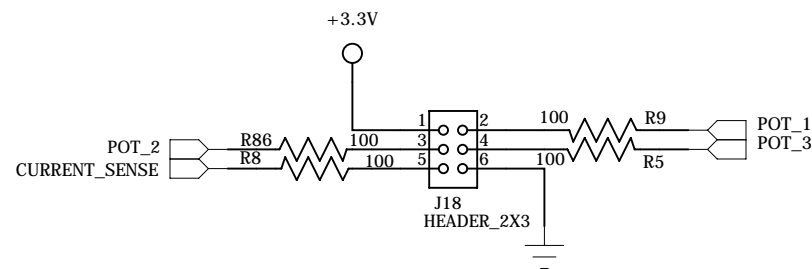
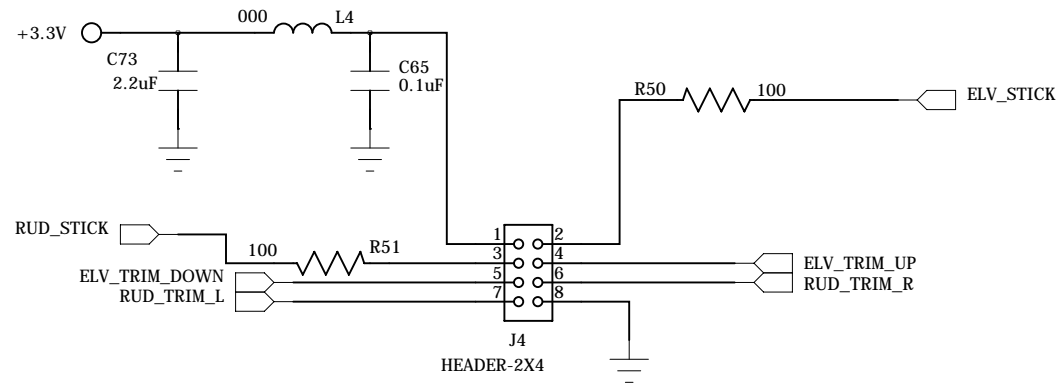
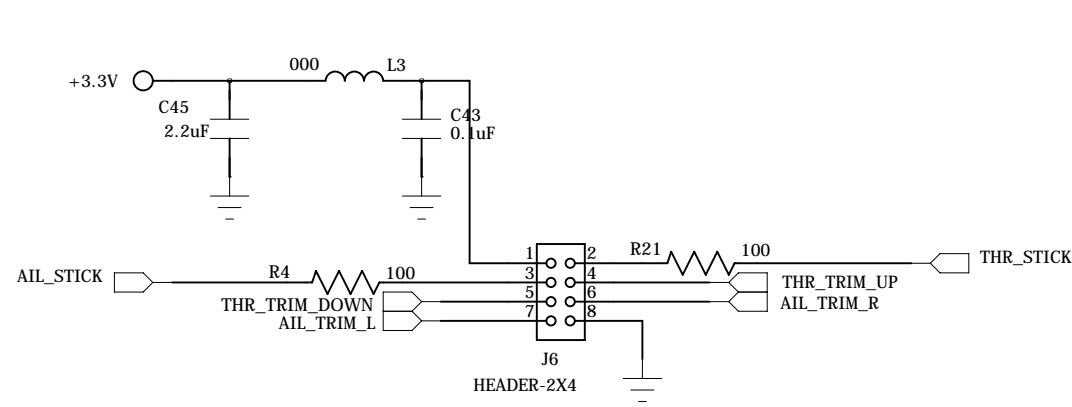
ARUni B

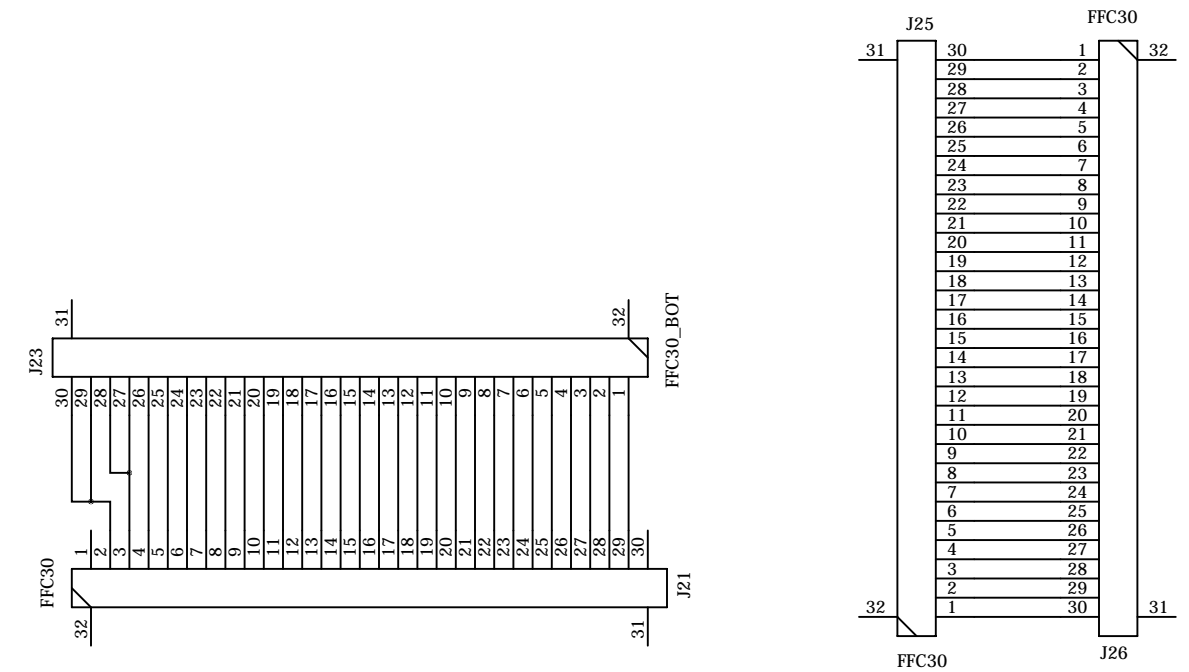
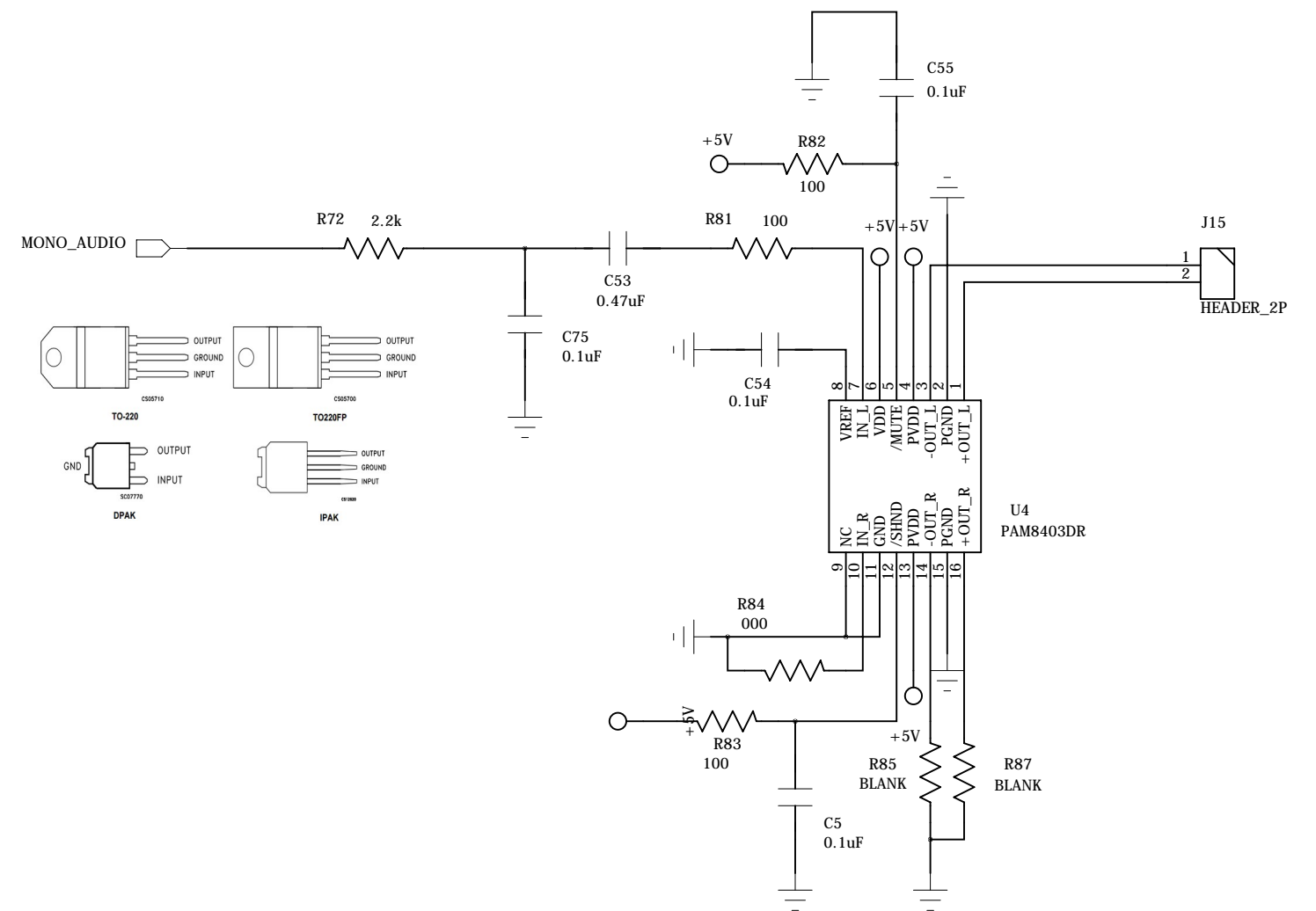
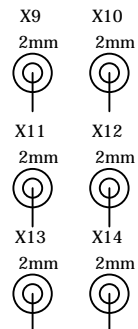
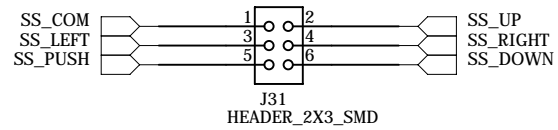
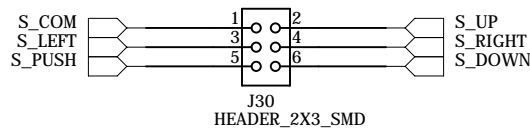
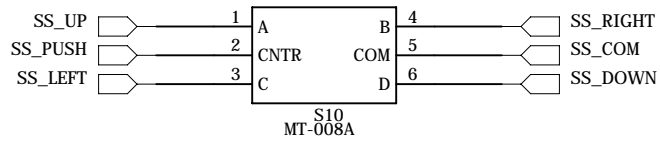
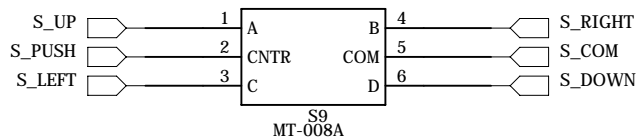
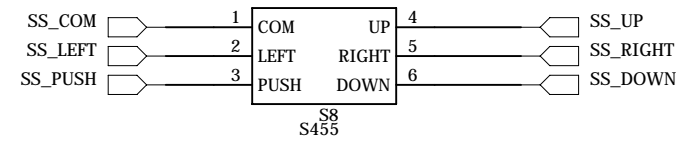
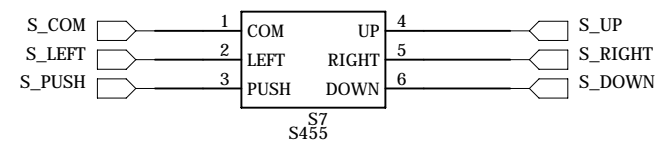
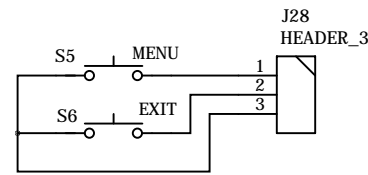
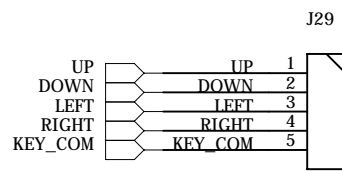
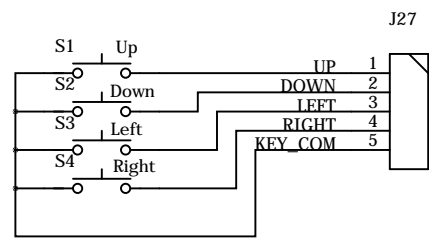
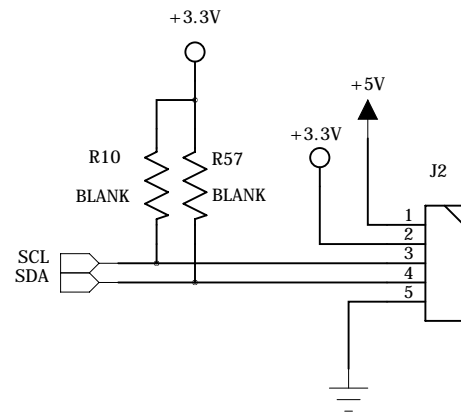
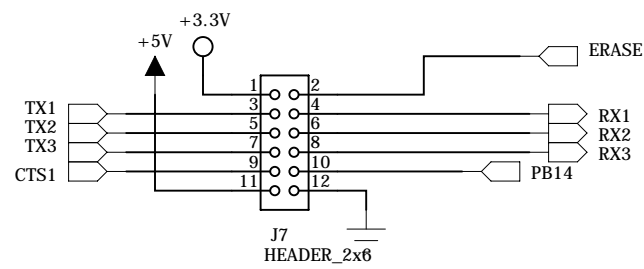
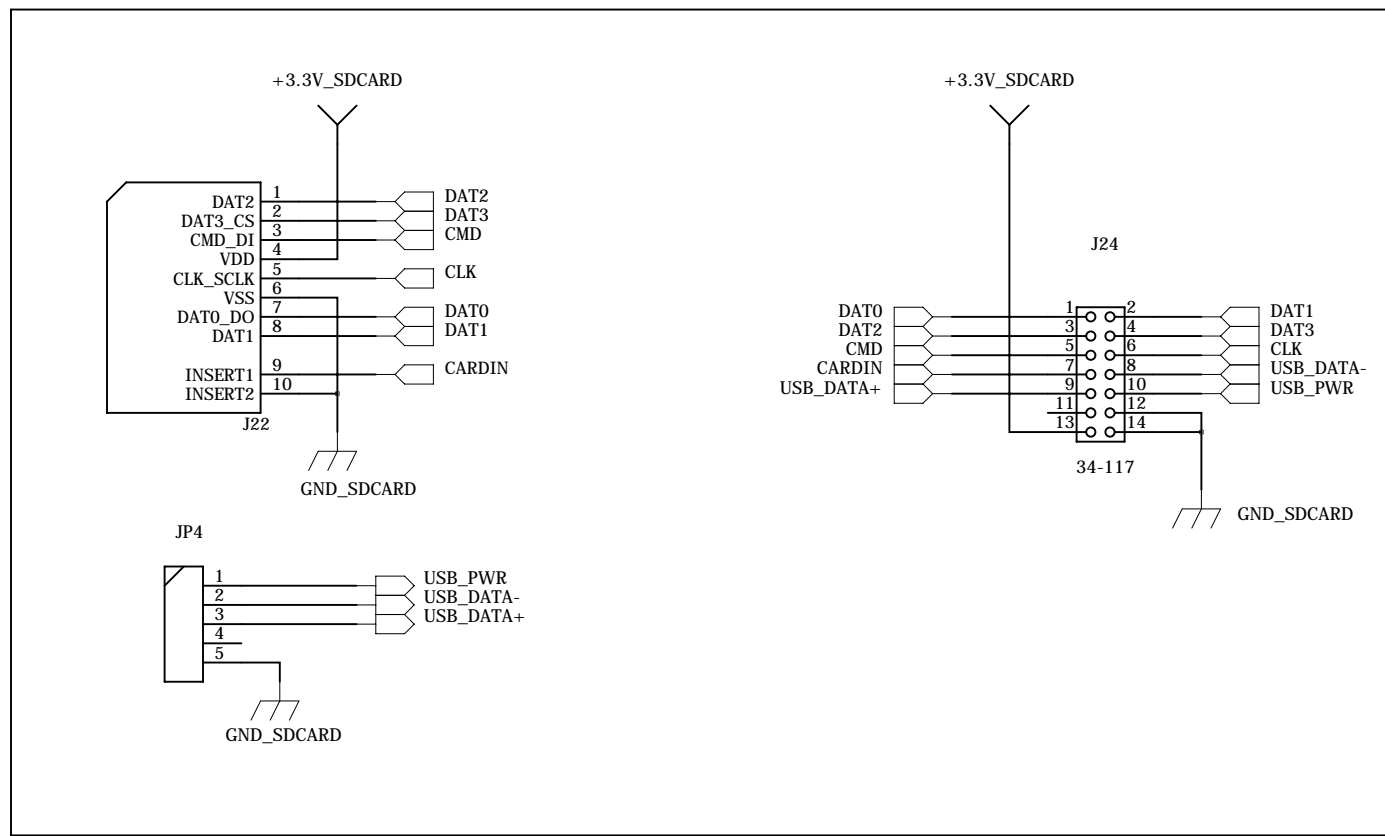
<http://ar9x.net>

MCU_LCD

9/27/2016 1/4







Extention Port

ARUni B

<http://ar9x.net>

USB_AUDIO 9/27/2016 4/4