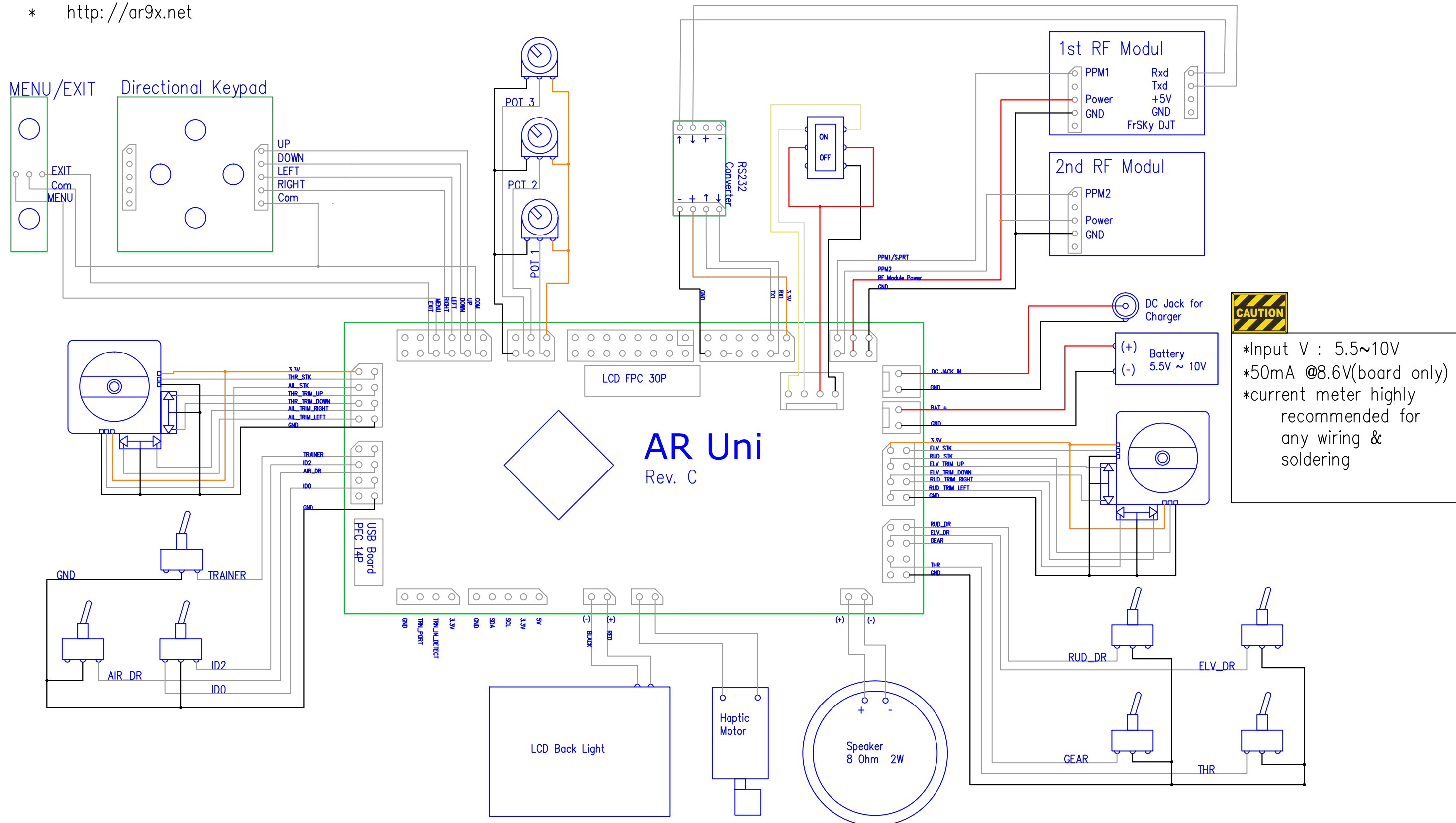


# ARUni Wiring Reference Ver 1.4



- \* Please visit ARUni RCGroup Thread for more detail
- \* LCD, USB/SDcard are not shown.
- \* <http://ar9x.net>



\*Input V : 5.5~10V  
 \*50mA @8.6V(board only)  
 \*current meter highly recommended for any wiring & soldering